



Residential + Rural Steel Frame Buildings

HEATHERBRAE
 Unit 5 2364
 Pacific Highway,
 Heatherbrae 2324
 Ph. (02) 4983 1922
 Fax. (02) 4987 4545

BRANXTON
 New England Highway,
 Branxton 2335
 Ph. (02) 4938 3088
 Fax. (02) 49383244

GOSFORD
 4 Luke Close,
 Gosford West 2250
 Ph. (02) 4323 4266
 Fax. (02) 4323 4788

COFFS HARBOUR
 Pacific Highway,
 Coffs Harbour 2450
 Ph. (02) 6651 7373
 Fax. (02) 6651 7853

LISMORE
 94 Bruxner Highway,
 Lismore 2480
 Ph. (02) 6622 2540
 Fax. (02) 6622 1720

HEAD OFFICE:

111 Enterprise Drive,
 Tomago 2322
 Ph. (02) 4964 8599
 Fax. (02) 4964 8864
 Email. allgal@wrsteel.com.au
 Web. www.allgal.com.au

"GABLE CARPORT"

SPECIFIC NOTES:

ROOF CLADDING
 - COLORBOND® & ZINCALUME®
 - TRIMDECK®
 - CUSTOMORB® (Corrugated)

CURTAIN WALL CLADDING
 - COLORBOND® & ZINCALUME®

OPTION 1. VERTICAL CLADDING. WALL CLADDING
 - TRIMWALL® - N2 (W33)
 - TRIMDECK® - N3 (W41)

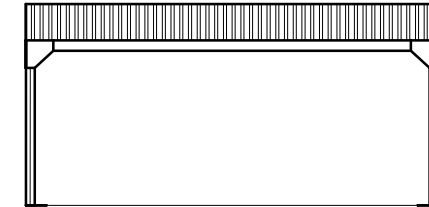
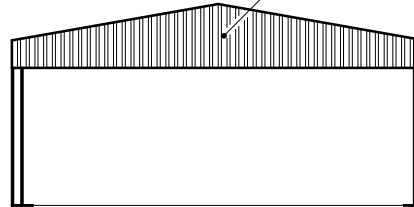
OPTION 2. VERTICAL CLADDING. WALL CLADDING
 - CUSTOMORB® - N2 (W33) N3 (W41)

COLUMNS = C20015, C15015
RAFTERS = C20015, C15015
GUTTERS & DOWNPIPES INCLUDED TO GROUND LEVEL.

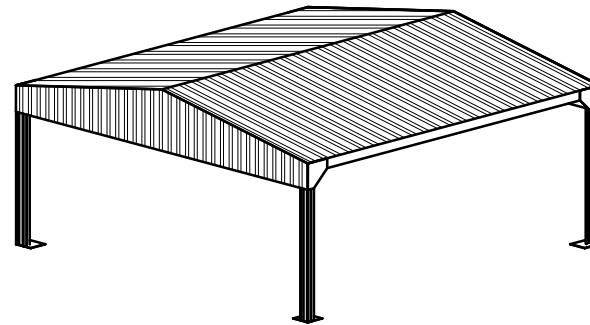
INCLUSIONS
GABLE CURTAIN WALLS

SOIL ASSUMED 'M' CLASS
SLAB PRICES ARE BASED ON A LEVEL SITE.
THERE IS NO FILL INCLUDED IN PRICES QUOTED UNLESS OTHERWISE NOTED.

Curtain Walls
 Optional

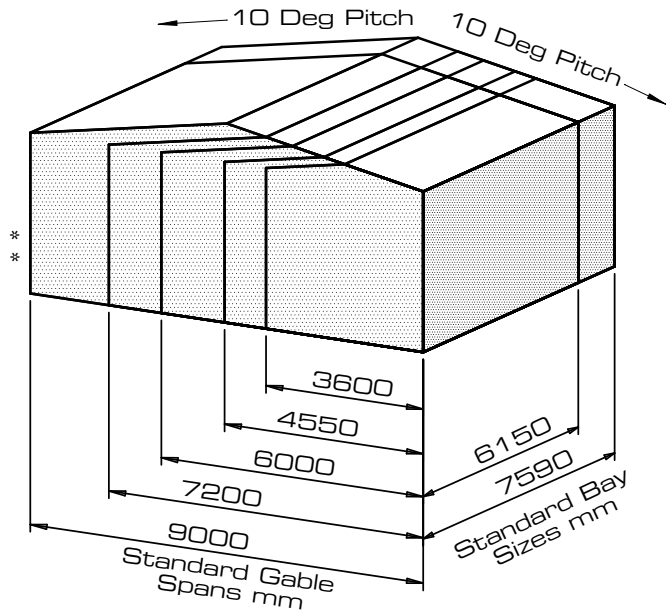


C- Section Column & Rafters



Standard Gable Carport
 10 deg Roof Pitch

- Standard Heights
- 2.400 m
 - 2.700 m
 - 3.000 m
 - 3.300 m
 - 3.600 m *
 - 4.200 m *



"GABLE CARPORT"

THE ABOVE DIMENSIONS ARE STANDARD SIZES. WE WILL HOWEVER DO CUSTOM SIZES. FOR FURTHER ENQUIRIES PLEASE CONTACT ONE OF OUR SALES OFFICES.