



Residential + Rural Steel Frame Buildings

HEATHERBRAE
Unit 5 2364
Pacific Highway,
Heatherbrae 2324
Ph. (02) 4983 1922
Fax. (02) 4987 4545

BRANXTON
New England Highway,
Branxton 2335
Ph. (02) 4938 3088
Fax. (02) 49383244

GOSFORD
4 Luke Close,
Gosford West 2250
Ph. (02) 4323 4266
Fax. (02) 4323 4788

COFFS HARBOUR
Pacific Highway,
Coffs Harbour 2450
Ph. (02) 6651 7373
Fax. (02) 6651 7858

LISMORE
94 Bruxner Highway,
Lismore 2480
Ph. (02) 6622 2540
Fax. (02) 6622 1720

HEAD OFFICE:

111 Enterprise Drive,
Tomago 2322
Ph. (02) 4964 8599
Fax. (02) 4964 8864
Email. allgal@wrsteel.com.au
Web. www.allgal.com.au

"RURAL GABLES"

SPECIFIC NOTES:

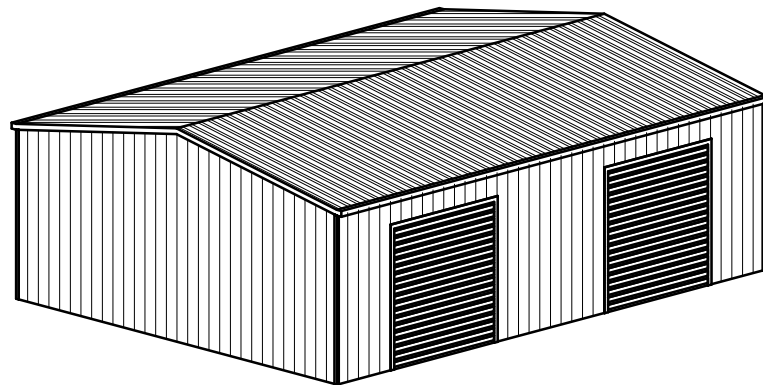
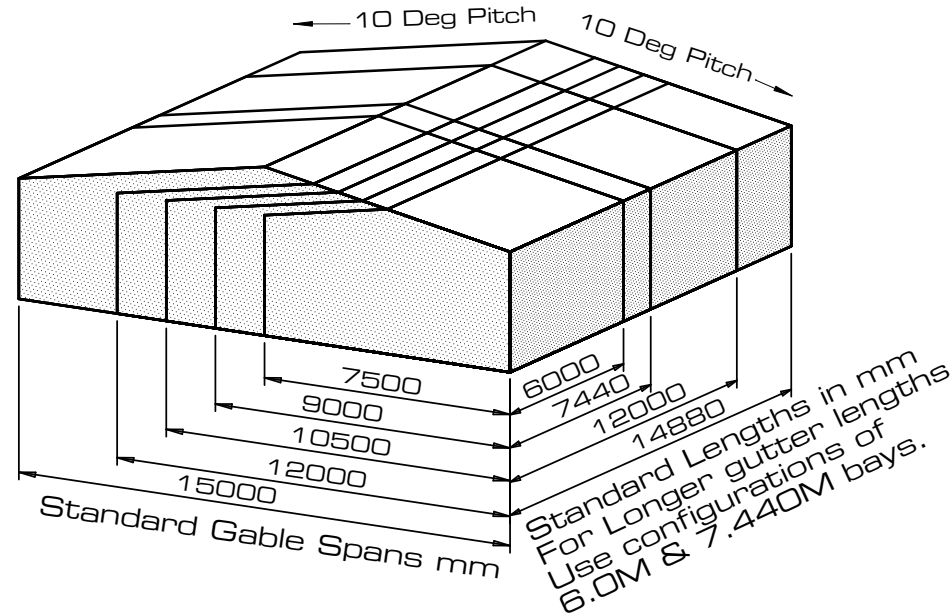
ROOF CLADDING
COLORBOND® & ZINCALUME®
TRIMDECK®, CUSTOMORB®

WALL CLADDING
COLORBOND® & ZINCALUME®
TRIMWALL®, CUSTOMORB®

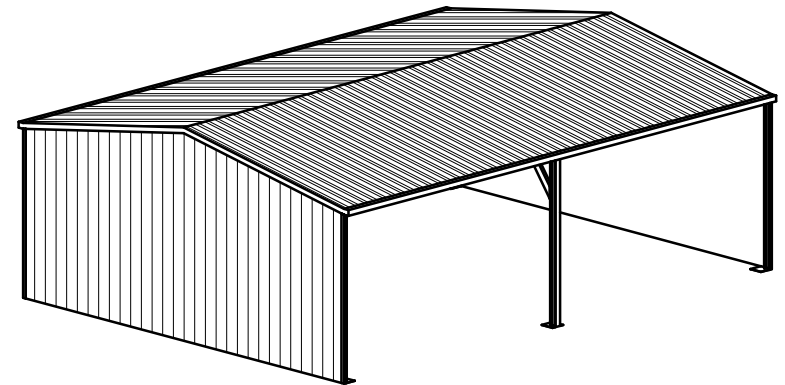
PIN JOINT CONSTRUCTION
GUTTERS & DOWNPIPES INCLUDED
TO GROUND LEVEL.

SOIL ASSUMED 'M' CLASS
SLAB PRICES ARE BASED
ON A LEVEL SITE.
THERE IS NO FILL INCLUDED
IN PRICES QUOTED.

Standard
Heights
- 3000 mm
- 3600 mm
- 4469 mm
- 4769 mm



Enclosed Rural Gables



Rural Gables
Walls to 3 Sides only

"RURAL GABLES"