



Residential + Rural Steel Frame Buildings

HEATHERBRAE
 Unit 5 2364
 Pacific Highway,
 Heatherbrae 2324
 Ph. (02) 4983 1922
 Fax. (02) 4987 4545

BRANXTON
 New England Highway,
 Branxton 2335
 Ph. (02) 4938 3088
 Fax. (02) 49383244

GOSFORD
 4 Luke Close,
 Gosford West 2250
 Ph. (02) 4323 4266
 Fax. (02) 4323 4788

COFFS HARBOUR
 Pacific Highway,
 Coffs Harbour 2450
 Ph. (02) 6651 7373
 Fax. (02) 6651 7858

LISMORE
 94 Bruxner Highway,
 Lismore 2480
 Ph. (02) 6622 2540
 Fax. (02) 6622 1720

HEAD OFFICE:

111 Enterprise Drive,
 Tomago 2322
 Ph. (02) 4964 8599
 Fax. (02) 4964 8864
 Email. allgal@wrsteel.com.au
 Web. www.allgal.com.au

"CURVED ROOF CARPORT"

SPECIFIC NOTES:

ROOF CLADDING
 - COLORBOND® & ZINCALUME®
ROOF CLADDING
 - CUSTOMORB® (Corrugated)

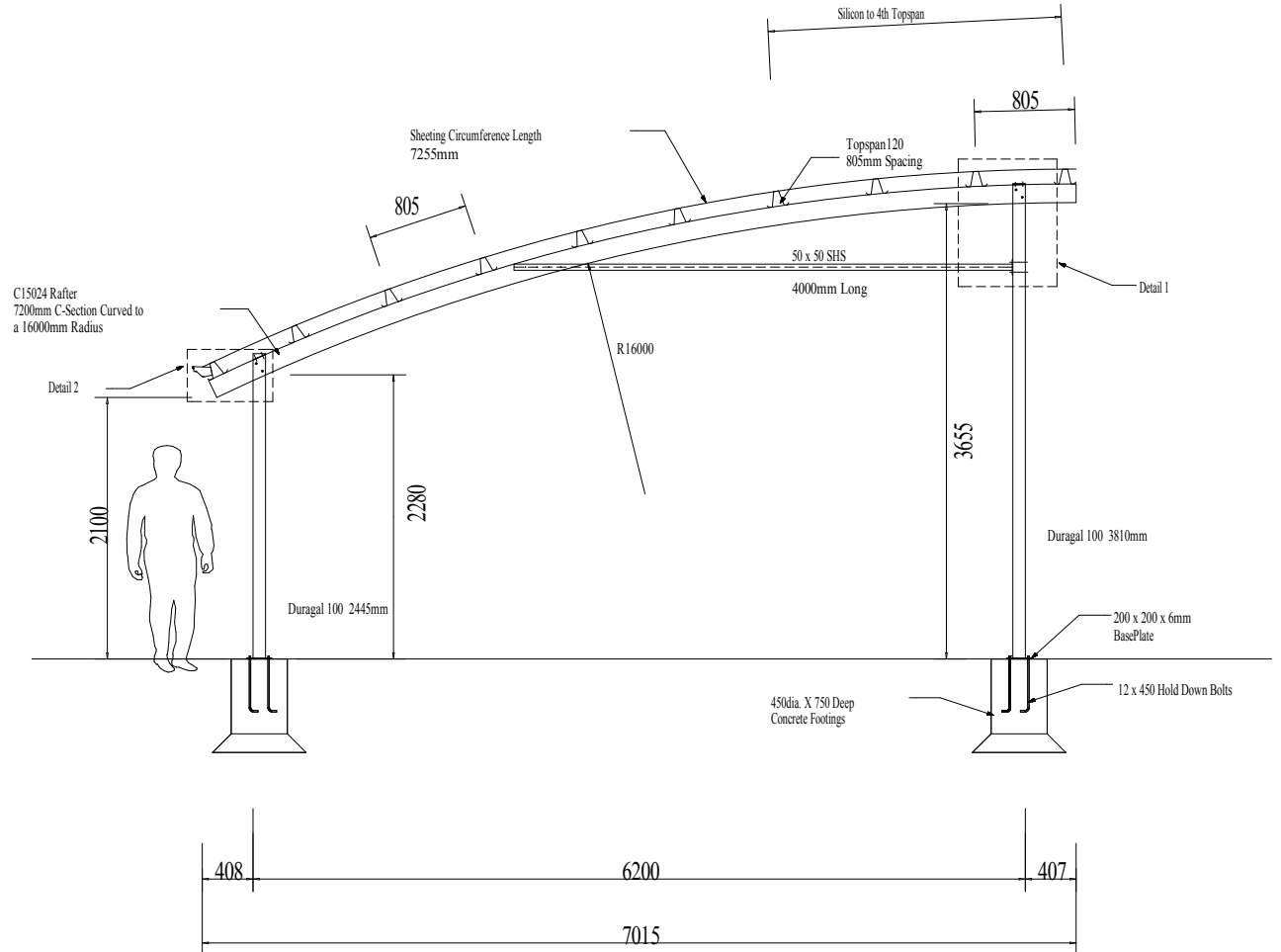
INFILL CLADDING
 - COLORBOND® & ZINCALUME®

OPTION 1. VERTICAL CLADDING. (Corrugated)
WALL CLADDING - CUSTOMORB®

COLUMNS = 100 x 100 DURAGAL SHS
RAFTERS = C15024
GUTTERS & DOWNPIPES INCLUDED
TO GROUND LEVEL.

INCLUSIONS
2 INFILL PANNELS ON HIGH SIDE
OR STAINLESS STEEL CROSS BRACING

SOIL ASSUMED 'M' CLASS
SLAB PRICES ARE BASED
ON A LEVEL SITE.
THERE IS NO FILL INCLUDED
IN PRICES QUOTED.



Curved Roof Carport - 7200mm C15024 curved @ 16000mm radius

"CURVED ROOF CARPORTS"



Residential + Rural Steel Frame Buildings

HEATHERBRAE
Unit 5 2364
Pacific Highway,
Heatherbrae 2324
Ph. (02) 4983 1922
Fax. (02) 4987 4545

BRANXTON
New England Highway,
Branxton 2335
Ph. (02) 4938 3088
Fax. (02) 49383244

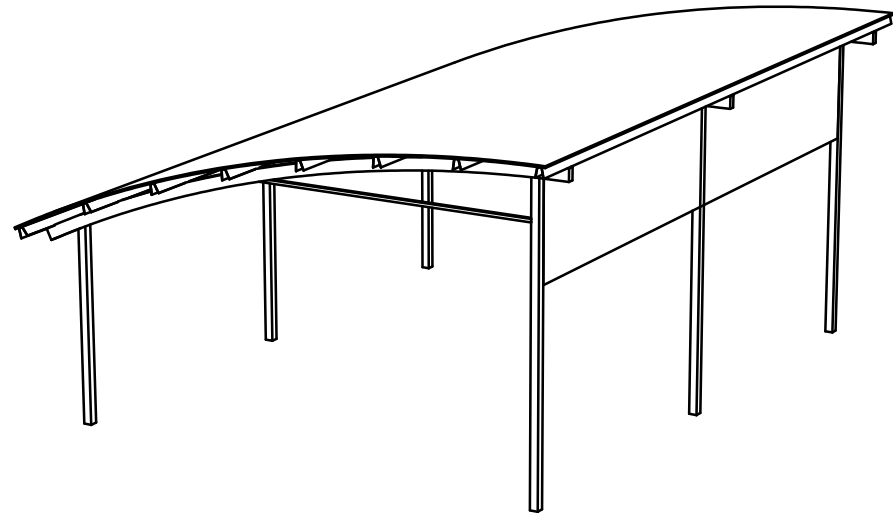
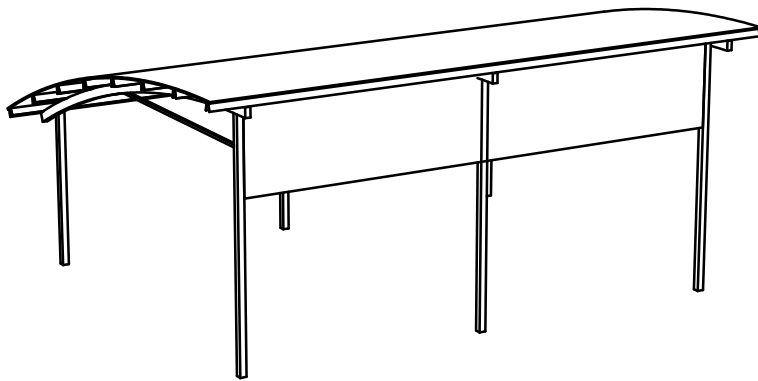
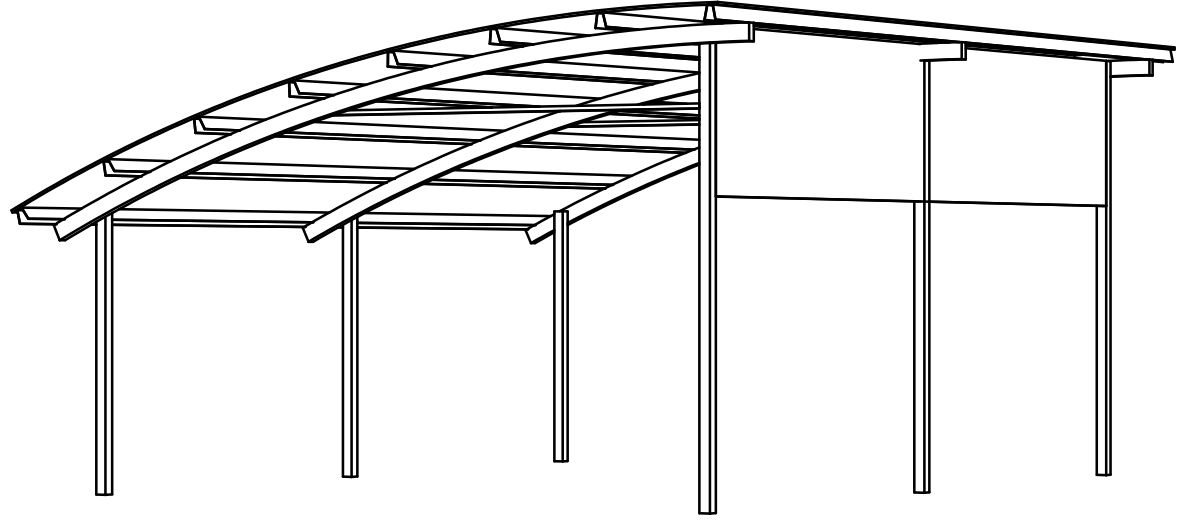
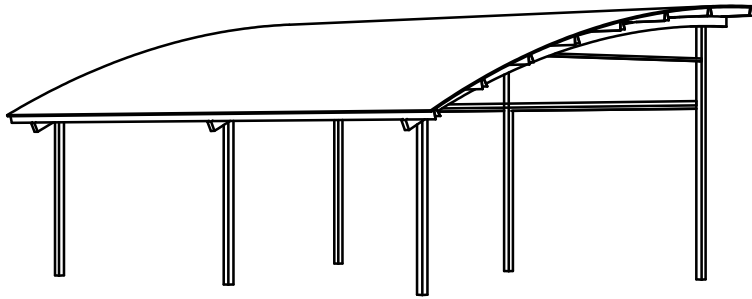
GOSFORD
4 Luke Close,
Gosford West 2250
Ph. (02) 4323 4266
Fax. (02) 4323 4788

COFFS HARBOUR
Pacific Highway,
Coffs Harbour 2450
Ph. (02) 6651 7373
Fax. (02) 6651 7858

LISMORE
94 Bruxner Highway,
Lismore 2480
Ph. (02) 6622 2540
Fax. (02) 6622 1720

HEAD OFFICE:

111 Enterprise Drive,
Tomago 2322
Ph. (02) 4964 8599
Fax. (02) 4964 8864
Email. allgal@wrsteel.com.au
Web. www.allgal.com.au



"CURVED ROOF CARPORTS"