



Residential + Rural Steel Frame Buildings

HEATHERBRAE
Unit 5 2364
Pacific Highway,
Heatherbrae 2324
Ph. (02) 4983 1922
Fax. (02) 4987 4545

BRANXTON
New England Highway,
Branxton 2335
Ph. (02) 4938 3088
Fax. (02) 49383244

GOSFORD
4 Luke Close,
Gosford West 2250
Ph. (02) 4323 4266
Fax. (02) 4323 4788

COFFS HARBOUR
Pacific Highway,
Coffs Harbour 2450
Ph. (02) 6651 7373
Fax. (02) 6651 7858

LISMORE
94 Bruxner Highway,
Lismore 2480
Ph. (02) 6622 2540
Fax. (02) 6622 1720

HEAD OFFICE:

111 Enterprise Drive,
Tomago 2322
Ph. (02) 4964 8599
Fax. (02) 4964 8864
Email. allgal@wrsteel.com.au
Web. www.allgal.com.au

"CURVED ROOF GARAGES"

SPECIFIC NOTES:

ROOF CLADDING - COLORBOND®
- CUSTOMORB® (Corrugated)

HORIZONTAL WALL CLADDING,
WALL CLADDING - COLORBOND®
- CUSTOMORB® (Corrugated)
- N2 (W33) / N3 (W41)

STUDFRAME WALLS
- Standard @ 2.700m High
with 400mm Eaves.
Curved Barges Included.
INCLUSIONS

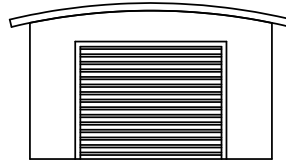
ROLLER DOORS STANDARD
1 in 3.6m Span @ 2.130mh x 3.0mw
1 in 4.8m Span @ 2.230mh x 3.0mw
2 in 6.0m Span @ 2.230mh x 2.440mw
OR1 in 6.0m Span @ 2.230mh x 5.0mw
2 in 7.2m Span @ 2.230mh x 2.440mw
OR1 in 7.2m Span @ 2.230mh x 5.0mw

No Windows Included in Standard Book Prices.

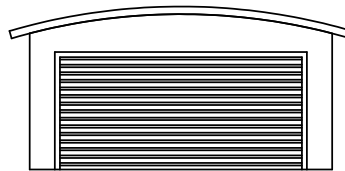
PARTITION WALLS

For Garages with a Gutter Length longer than 7.440m a centered partition wall is required. The partition walls come with one Centered Large opening.

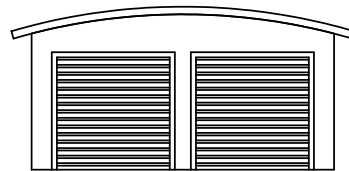
3.6m Span C/W a 2.160mh x 3.0mw Opening.
4.8m Span C/W a 2.260mh x 4.0mw Opening.
6.0m Span C/W a 2.260mh x 5.0mw Opening.
7.2m Span C/W a 2.260mh x 5.0mw Opening.



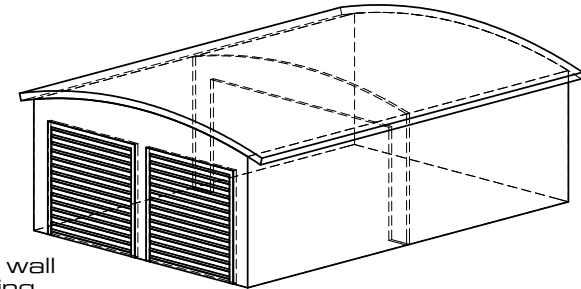
Roller Door
1 x 3000w
for 3.6 & 4.8 spans



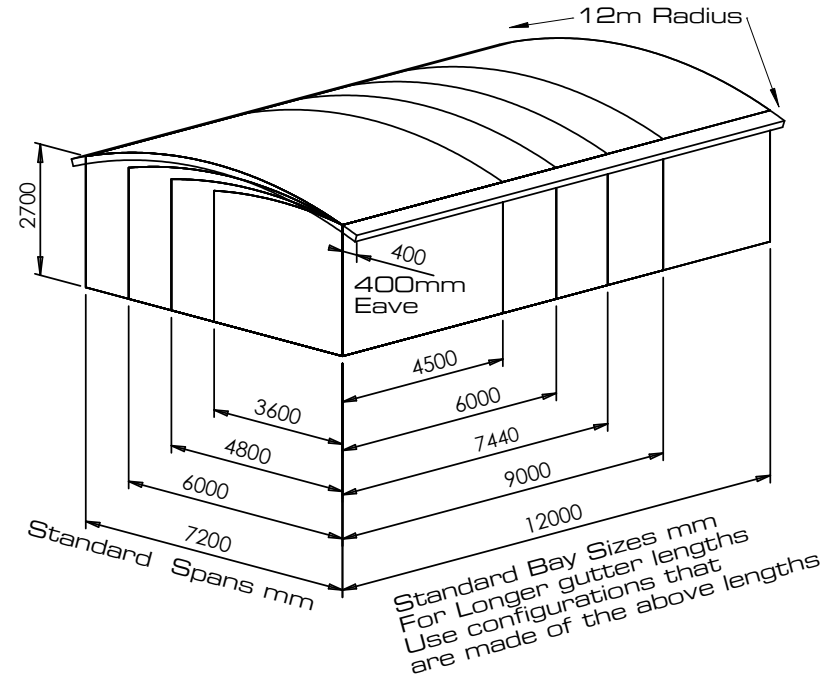
Roller Doors (option1)
1 x 5000w
for 6.0 & 7.2 spans



Roller Doors (option2)
2 x 2440w
for 6.0 & 7.2 spans



Internal Partition wall
with large opening
included in buildings
9.0m & 12.0m long



"CURVED ROOF GARAGES"

THE ABOVE DIMENSIONS ARE STANDARD SIZES.
WE WILL HOWEVER DO CUSTOM SIZES IF POSSIBLE.
FOR FURTHER ENQUIRIES PLEASE CONTACT
ONE OF OUR SALES OFFICES.